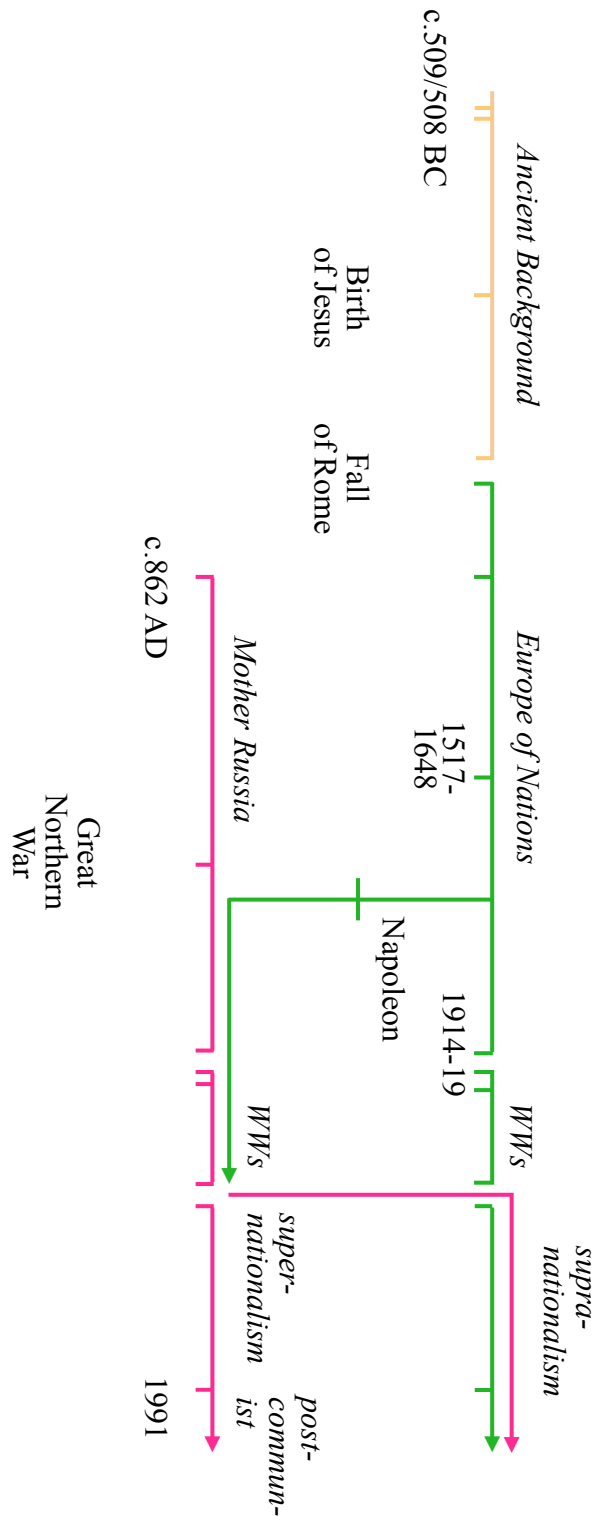


**Part 1: Europe, Russia, and the World We Live In**

1. Fill in the given timeline of ancient, European, and Russian history with dates, descriptions of the events. Write abbreviations if you need to, and then explain them elsewhere on the page. (*Descriptions should be just a few words — NOT complete sentences.*)



**Part 2: The Europe of Nations**

2. What long period was the most important in the history of Iberia, and how did it affect Iberian culture?

---

---

---

---

---

---

---

---

3. Why are Martin Luther, Henry VIII of England, and John Calvin important in the history of the *Europe of Nations*?

---

---

---

---

---

---

---

---

---

---

4. What was the main cause of the French Revolution? Why did France end up with a monarchy again?

---

---

---

---

---

---

---

---

5. What leader of France was important to the unification of Italy and Germany, and how?

---

---

---

---

---

---

---

---

---

---

**Part 3: The World Wars and the Rise of Modern Europe**

6. How did European leader hope to avoid war after WWI? How was it supposed to work? Did it?

---

---

---

---

---

---

---

---

---

---

7. What are two reasons nationalism was seen negatively after World War II?

---

---

---

---

---

---

---

---

---

---

8. What was the ECSC of 1951, and how was it supposed to help prevent wars in Europe?

---

---

---

---

---

---

---

---

---

---